



## PRODUCT INFORMATION GUIDE

### MATRIX™ AND KYDEX® HOLSTERS/ACCESSORIES

GalcoGunleather.com  
2019 West Quail Avenue Phoenix Arizona 85027

Galco Customer Service can be reached  
Toll Free at 800-874-2526  
or by Email at:  
customerservice@galcoGUNLEATHER.COM



GalcoGunleather.com  
Facebook.com/galcoGUNLEATHER.COM  
Twitter.com/galcoGUNLEATHER.COM  
YouTube.com/galcoGUNLEATHER.COM  
Instagram.com/galcoGUNLEATHER.COM  
Pinterest.com/galcoGUNLEATHER.COM

Form 1216-2 / Galco International LTD ©2016

## SAFETY SYMBOL DEFINITIONS

### ▲ DANGER

Indicates a hazardous situation which, if not avoided, will result in death or serious injury.

### ▲ WARNING

Indicates a hazardous situation which, if not avoided, could result in death or serious injury.

### ▲ CAUTION

Indicates a hazardous situation which, if not avoided, could result in minor or moderate injury

### NOTICE

Used to address practices unrelated to potential personal injury.

## IMPORTANT SAFETY WARNINGS AND INSTRUCTIONS READ PRIOR TO USING GALCO PRODUCTS

### ▲ DANGER

Firearms users must understand and obey the Rules of Firearms Safety:

1. All firearms are always loaded.
2. Never let the muzzle cover anything you're not willing to destroy.
3. Keep your finger off the trigger until your sights are on target.
4. Be sure of your target and what's beyond.

**▲ WARNING** Failure to heed these warnings or follow the operating instructions may result in negligent discharge of a firearm, causing serious injury or death.

Read and understand all owner's manuals, instructions, and guides prepared by the manufacturer of your firearm prior to use.

Galco holsters are designed to carry specific firearms.

**▲ WARNING** Before use, be sure the holster selected is designed and intended to carry your particular firearm.

If you have any questions about correct fit, contact Galco Customer Service at 800-874-2526 or customerservice@galcoGUNLEATHER.COM. You may also visit GalcoGunleather.com and use our online fitting guide.

**▲ WARNING** Carrying a firearm in an ill-fitting or improper holster can result in serious injury or death. The purchase and use of a Galco holster is at the sole and exclusive risk of the user.

## READ AND UNDERSTAND THIS ENTIRE GUIDE PRIOR TO USING THIS PRODUCT.

Firearms are inherently dangerous. Improper or careless use of a firearm or firearm and holster may result in serious injury or death. It is the user's responsibility to possess a thorough knowledge of, and be properly trained in, all aspects of firearm use, including holster use and safety.

**▲ CAUTION** Do not place a loaded firearm in a holster without first testing – with a firearm double-checked and verified to be unloaded – for proper firearm fit.

**▲ CAUTION** Tension units are not pre-set at the factory. If a holster has tension units, it is the user's responsibility to ensure they are appropriately adjusted to properly retain the firearm.

Carry the firearm in the safe condition recommended by its manufacturer. This information will be contained in the product information manual provided by the firearm manufacturer. If you do not have the manual applicable to the firearm, contact the firearm's manufacturer.

Always ensure the firearm is fully seated in the holster, and that it activates all automatic or manual retention devices (when provided). Retention devices must be used when provided.

**▲ WARNING** If the firearm is not properly secured by means of friction or the retention device(s), it could become dislodged, causing injury and possibly death to the user and others.

**▲ WARNING** Never holster a firearm in the single-action mode, unless it is a semi-automatic pistol and holster designed and intended for "cocked and locked" or "Condition One" carry.

**▲ WARNING** Always ensure that a single-action pistol has the manual safety engaged when carrying in a holster.

**▲ WARNING** Do not attempt to cock a holstered firearm, as this may damage the firearm, the holster, or both, and may contribute to a negligent discharge.

**▲ CAUTION** Always protect an exposed magazine release from accidental activation.

**▲ WARNING** When drawing a firearm or replacing it in the holster, DO NOT place your finger on the trigger, in the trigger guard, or near the trigger. Position your finger along the frame of the firearm above the trigger guard. Keep your finger off the trigger until your sights are on target.

**NOTICE** When placing the firearm into the holster, always place your thumb over the hammer or behind the slide. This will enable you to feel if the hammer starts to move rearward, or the slide begins to come out of battery.

### ▲ WARNING

## IF A FIREARM FALLS OUT OF ITS HOLSTER, IT MAY FIRE, CAUSING DEATH OR SERIOUS INJURY.

Always place your hand on the firearm and holster when running or performing other physically vigorous activities.

It is the user's responsibility to maintain the holster by regularly checking component parts for excessive wear and proper function. This includes, but is not limited to, tension units, snap closures, and retention devices.

Checking tension units each time the holster is used is required as part of your regular safety inspection. Applying a small amount of clear nail polish to the threads of the tension units, after proper adjustment, will help minimize screw loosening.

## DO NOT USE CUSTOMIZED, MODIFIED, WORN OR BROKEN FIREARMS.

Do not use customized, modified, worn or broken firearms, or those otherwise outside the original manufacturer's specifications, in a Galco holster.

Do not in any way modify, disassemble, or remove any part from this holster, except as approved and recommended in Galco's Product Information Guide.

Do not expose your holster to extreme heat, such as the interior of a car in summer, or leave it otherwise exposed to the elements.

Do not rely on any holster being "snatch proof" regardless of the number of retention devices it may feature. Rely only on proper training and situational awareness.

## CARRY CONDITION OF THE FIREARM

**▲ WARNING** Some single-action revolvers and some semi-automatic pistols must be carried with the hammer or firing pin resting on an empty chamber.

Carrying any firearm with a live cartridge in the chamber immediately in front of the firing pin may cause a negligent discharge. Information regarding the safe carry condition of your firearm will be contained in the product information manual provided by the firearm's manufacturer. If you are unsure of the safe carry condition(s) of your firearm, contact the firearm's manufacturer.

**▲ WARNING** Galco holsters with retention straps intended for single-action pistols (such as the 1911) are designed for "hammer down, empty chamber" carry, unless otherwise specified. Galco holsters without retention straps ("open top") are designed to carry single-action pistols in all safe conditions of carry as specified by the firearm manufacturer.

## IF ANY DOUBT EXISTS AS TO THE SERVICEABILITY OR SAFETY OF A GALCO PRODUCT, IMMEDIATELY CEASE USING IT.

If you have questions, contact :  
Galco Customer Service at 800-874-2526  
or customerservice@galcoGUNLEATHER.COM.

Galco has made every effort to properly label all holsters for the specific firearms they fit. However, firearms manufacturers often make changes to their firearms that affect holster fit.

Galco will not be responsible for such changes, nor for typographical or other human errors that may occur. It is the user's responsibility to ensure proper holster fit with actual firearms.

## INSPECTIONS/MAINTENANCE, ADDITIONAL USER RESPONSIBILITIES, AND LABELING

It is important to understand that all products, including firearms and holsters, may eventually "wear out" or become unsuitable for the function for which they were designed. Stress and strain placed on a product will vary according to frequency and conditions of use, and therefore it is difficult to indicate a recommended replacement date for this product.

**▲ WARNING** It is the user's responsibility to ensure that the item remains serviceable and safe, and able to continue service within its design intent.

**NOTICE** It is the user's responsibility to inspect the holster before and after each use for signs of excessive wear or loss of retention capability, and appropriate tightness of all hardware.

## GALCO'S MATRIX™ AND KYDEX® HOLSTERS AND ACCESSORIES

Galco's thermoplastic holsters are constructed from either injection-molded plastic (the Matrix series) and Kydex.

The Matrix line is composed of belt and paddle holsters, as well as magazine carriers. The Kydex line encompasses both belt and IWB holsters, as well as magazine carriers.

This Product Information Guide applies to holsters/accessories constructed of either material.

### ⚠ WARNING

**KEEP YOUR FINGER OFF THE TRIGGER UNTIL YOUR SIGHTS ARE ON TARGET!**

### NOTICE

#### CARE, MAINTENANCE AND STORAGE

Dirt and grit trapped in your holster may harm your firearms's finish. To clean your holster, especially after use in dusty conditions, simply wipe out the interior of the holster using a clean, damp cloth.

### DO

Ensure that all screws are tightened snugly. Applying a small amount of clear nail polish to the threads will minimize screw back-out.

A very small amount of neutral Kiwi® shoe polish may be applied to the outside of Matrix items to restore a "like new" look. A small amount applied to the inside will reduce draw friction if necessary.

### DON'T

Do not store your firearm in a holster if the holster is damp from perspiration or in otherwise moist condition.

Do not use Loctite® or threadlock. Outgassing from these adhesive compounds will adversely affect plastic, nylon and rubber holster parts.

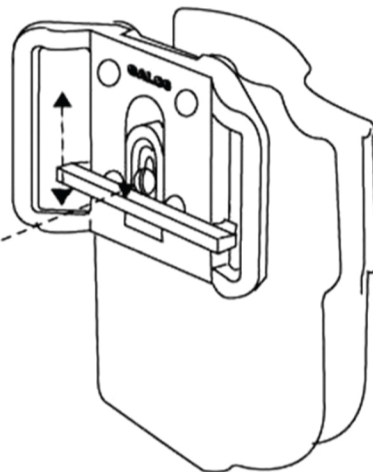
Do not leave your Galco product on the dashboard of your car in summer, or leave it otherwise exposed to the elements.

The above care and maintenance instructions cannot substitute for your good common sense. Following our recommended care and maintenance tips, along with common sense, will allow you to get the maximum service life from your Galco products.

### ADJUSTING STRYKER™ BELT HOLSTER FOR BELT WIDTH

Stryker adjusts to fit belt widths of 1-1/4", 1-1/2", 1-3/4"

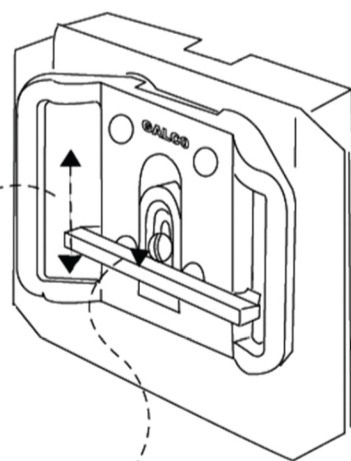
Loosen screw and move adjustable belt sizing bar to fit belt, then re-tighten screw.



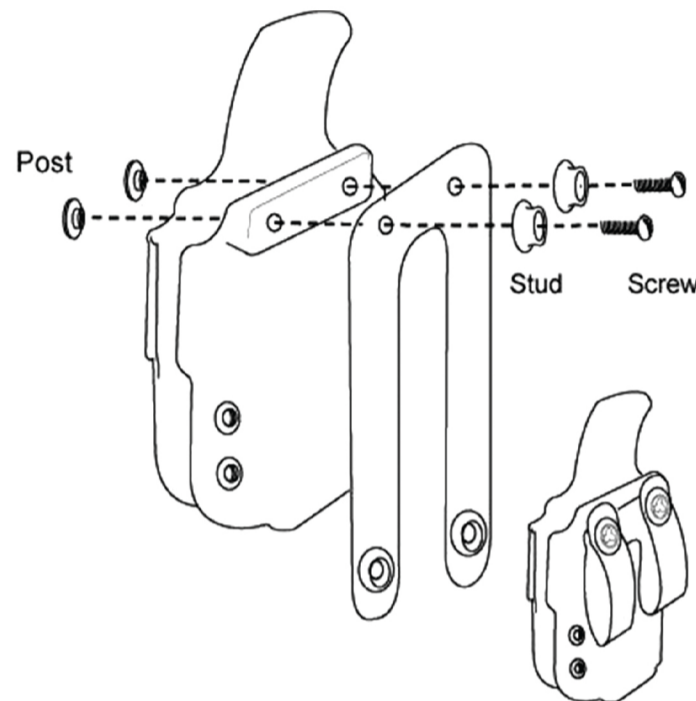
### ADJUSTING KYDEX DOUBLE MAG CARRIER FOR BELT WIDTH

Adjust to fit belt widths of 1-1/4", 1-1/2", 1-3/4"

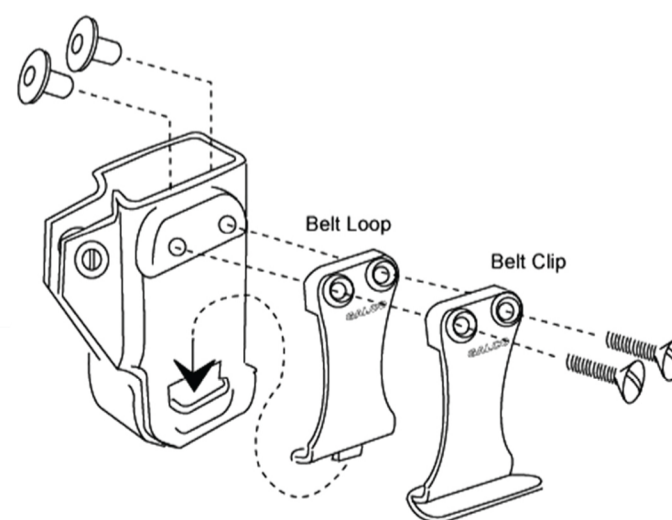
Loosen screw and move adjustable belt sizing bar to fit belt, then re-tighten screw.



### INSTALLING OPTIONAL TRITON™ BELT LOOPS



### INSTALLING BELT LOOP/SLOT ON KYDEX SINGLE MAG CARRIER



## REPAIRS

Galco uses only the highest quality materials. However, there may be occasions when a repair is necessary. If you have an unaltered Galco product that needs repair, simply contact our Customer Service department at 800-874-2526 or customerservice@galcofirearm.com. We will issue you a Return Authorization (RA) number to print on the outside of your shipping container and provide you with detailed shipping instructions. We will make every effort to complete the necessary repair quickly and return your item to you promptly. If there is a charge for your repair, we will notify you before the work is performed.

## TERMS OF SALE

Because we have no control over the use of our products, all Galco products are sold as is and "with all faults". The entire risk as to the quality and performance of the product is with the buyer. Should the product prove defective following its purchase, the buyer and not the manufacturer, distributor, or retailer assumes the entire risk of all necessary servicing or repairs. Under no circumstances shall Galco be liable for incidental or consequential damages, such as loss of use of property, commercial loss and loss of earnings or profits. The implied warranties of merchantability and fitness for a particular purpose and all other warranties, expressed or implied, are excluded from this transaction and shall not apply to the product sold. The determination of the fitness or the suitability of any product for a specific use is the responsibility of the buyer. The illustrations shown herein are typical as to finish and application. Due to uncontrollable variances in color saturation, the actual product may differ slightly from that shown in our catalog/web site. Galco reserves the right to make changes in products built and/or sold by them at any time without incurring any obligation to make same or similar changes on products previously manufactured and/or sold by them. All Galco products are made in the U.S.A. and produced according to rigid specifications. Prices and models are subject to change without notice. Some states do not allow the exclusion or limitation of implied warranties or liability for incidental or consequential damages, so the above limitations and exclusions may not apply to you. Galco designs, features, and model names are the exclusive property of Galco International. Any and all persons including, but not limited to, individuals, firms and/or corporations are forbidden from imitating, copying or reproducing them in any way.